

CMT

Centrifugal single-inlet, medium-pressure fans with casing and straight-blade impeller made from sheet steel to transport dust and solids



Fan:

- Steel sheet casing
- Sheet steel straight-blade impeller

Motor:

- Motors with IE-2 efficiency, except for motors with lower powers than 0.75 kW, monophase motors or two-speed motors
- Class F motors with ball bearings, IP55 protection
- Three-phase 230/400V.-50Hz. (up to 5.5CV.) and 400/690V.-50Hz. (power over 5.5CV.)
- Max. air temperature to transport: -20°C.+ 120°C

Finish:

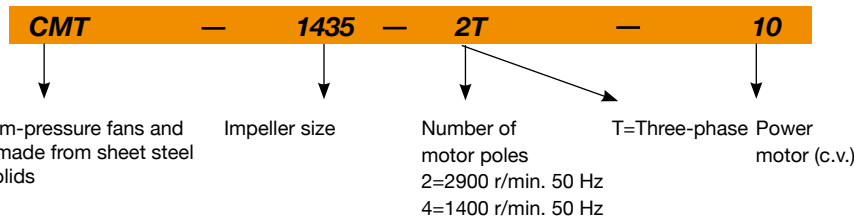
- Anticorrosive finish in polyester resin, polymerised at 190°C, after alkaline degreasing and phosphate-free pre-treatment.

On request:

- Special windings for different voltages
- Fan designed to transport air up to 250°C
- ATEX certification, Category 2

Robust radial impeller

Order code



Technical characteristics

Model	Speed (r/min)	Maximum admissible current (A)			Installed Power (kW)	Maximum Airflow (m³/h)	Sound pressure level dB(A)	Approx. weight (Kg)
		230V	400V	690V				
CMT-922-2T	2900	4.16	2.40		1.10	2180	71	22.0
CMT-922-4T	1480	2.51	1.45		0.55	1080	66	20.0
CMT-1025-2T	2900	5.63	3.25		1.50	2850	74	31.0
CMT-1025-4T	1470	2.51	1.45		0.55	1390	70	27.0
CMT-1128-2T	2900	7.97	4.60		2.20	4500	76	37.0
CMT-1128-4T	1460	2.51	1.45		0.55	2250	72	30.0
CMT-1231-2T-4	2900	10.57	6.10		3.00	5220	78	53.0
CMT-1231-2T-5.5	2900	13.34	7.70		4.00	6300	79	70.0
CMT-1231-4T	1470	4.59	2.65		1.10	3000	73	43.0
CMT-1435-2T-7.5	2930		10.50	6.10	5.50	7800	85	86.0
CMT-1435-2T-10	2900		13.90	8.00	7.50	8260	87	95.0
CMT-1435-4T	1470	8.49	4.90		2.20	4175	76	62.0
CMT-1640-2T-7.5	2950		10.50	6.10	5.50	5600	88	96.0
CMT-1640-2T-10	2950		13.90	8.00	7.50	9600	90	105.0
CMT-1640-4T	1450	8.49	4.90		2.20	4800	77	78.0
CMT-1845-2T-10	2900		13.90	8.00	7.50	5000	89	155.0
CMT-1845-2T-15	2900		20.00	11.50	11.00	10500	91	183.0
CMT-1845-2T-20	2900		26.50	15.30	15.00	13000	94	194.0
CMT-1845-4T	1470	14.38	8.30		4.00	8200	80	144.0
CMT-2050-2T-25	2900		32.00	18.50	18.50	8500	98	225.0
CMT-2050-2T-30	2900		39.00	22.50	22.00	13600	99	275.0
CMT-2050-4T	1430		11.40	6.60	5.50	11300	85	160.0

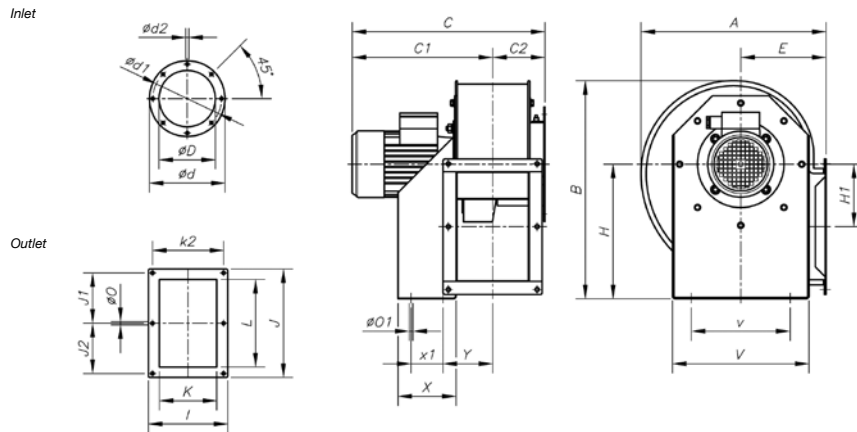
Acoustic features

Sound power Lw(A) spectrum in dB(A) via frequency band in Hz.

Model	63	125	250	500	1000	2000	4000	8000	Model	63	125	250	500	1000	2000	4000	8000
922-2	45	61	76	76	77	74	72	63	1435-4	53	68	84	83	85	81	79	71
922-4	40	56	71	71	72	69	67	58	1640-2-7.5	65	80	96	95	97	93	91	83
1025-2	48	64	79	79	80	77	75	66	1640-2-10	67	82	98	97	99	95	93	85
1025-4	44	60	75	75	76	73	71	62	1640-4	54	69	85	84	86	82	80	72
1128-2	50	66	81	81	82	79	77	68	1845-2-10	68	83	98	98	99	96	94	85
1128-4	46	62	77	77	78	75	73	64	1845-2-15	70	85	100	100	101	98	96	87
1231-2-4	55	70	86	85	87	83	81	73	1845-2-20	73	88	103	103	104	101	99	90
1231-2-5.5	56	71	87	86	88	84	82	74	1845-4	59	74	89	89	90	87	85	76
1231-4	50	65	81	80	82	78	76	68	2050-2-25	77	92	107	107	108	105	103	94
1435-2-7.5	62	77	93	92	94	90	88	80	2050-2-30	78	93	108	108	109	106	104	95
1435-2-10	64	79	95	94	96	92	90	82	2050-4	64	79	94	94	95	92	90	81

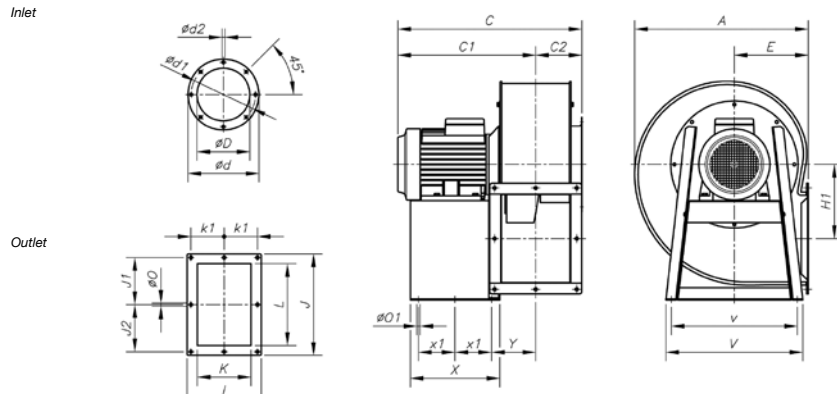
Dimensions in mm

CMT-922...1231



Model	A	B	C	C1	C2	ØD	Ød	Ød1	Ød2	E	H	H1	I	J	J1	K	k2	L	Ø0	Ø01	V	v	X	x1	Y
CMT-922	388.5	455	416	309	107	170	244	210	9.5	180	280	134	204	282.5	128	140	180	215	9.5	10.5	290	220	114	50	105
CMT-1025-2T	427	503	490	369.5	120.5	190	264	230	9.5	197	310	144	229	312.5	145	165	205	250	9.5	12.5	315	228	134	74	115.5
CMT-1025-4T	427	503	442	321.5	120.5	190	264	230	9.5	197	310	144	229	312.5	145	165	205	250	9.5	12.5	315	228	134	74	115.5
CMT-1128-2T	472	553	505	377	128	210	284	249	9.5	216	340	152	244	364	170	180	220	296.5	9.5	12.5	348	245	144	95	122.5
CMT-1128-4T	472	553	457	329	128	210	284	249	9.5	216	340	152	244	364	170	180	220	296.5	9.5	12.5	348	245	144	95	122.5
CMT-1231-2T-4	526	630	555	417	138	240	305	275	9.5	238	390	179.5	264	382.5	180	200	240	320	11.5	13	382	322	183	140	126
CMT-1231-2T-5.5	526	630	578	440	138	240	305	275	9.5	238	390	179.5	264	382.5	180	200	240	320	11.5	13	382	322	183	140	126
CMT-1231-4T	526	630	525	387	138	240	305	275	9.5	238	390	179.5	264	382.5	180	200	240	320	11.5	13	382	322	183	140	126

CMT-1435...2050

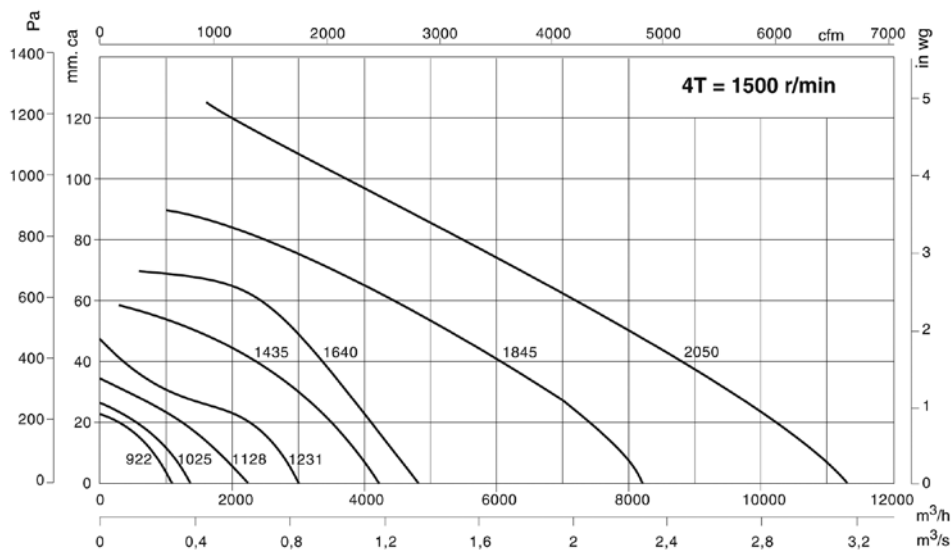
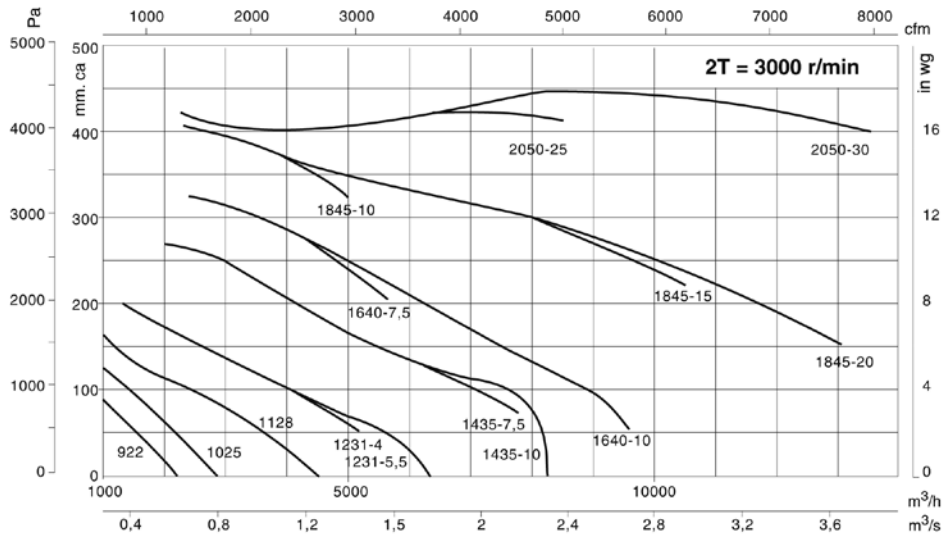


Model	A	B	C	C1	C2	ØD	Ød	Ød1	Ød2	E	H	H1	I	J	J1	K	k1	L	Ø0	Ø01	V	v	X	x1	Y
CMT-1435-2T	573.5	715	649	492	157	270	344	310	9.5	250	445	242.5	292	342.5	159	228	133	280	11.5	12	456	420	333	136.5	150
CMT-1435-4T	573.5	715	588	431	157	270	344	310	9.5	250	445	242.5	292	342.5	159	228	133	280	11.5	12	456	420	333	136.5	150
CMT-1640-2T	634	799	673	504	169	270	344	310	9.5	2270	495	271	336	404	185	250	150	321	11.5	12	500	460	327	133.5	162.5
CMT-1640-4T	634	799	612	443	169	270	344	310	9.5	270	495	271	336	404	185	250	150	321	11.5	12	500	460	327	133.5	162.5
CMT-1845-2T-10	711	901	712	521	191	350	434	395	9.5	302	560	305	370	444	202	284	164	361	11.5	12	538	502	340	140	179.5
CMT-1845-2T-15	711	901	817	626	191	350	434	395	9.5	302	560	305	370	444	202	284	164	361	11.5	12	538	502	420	180	179.5
CMT-1845-2T-20	711	901	817	626	191	350	434	395	9.5	302	560	305	370	444	202	284	164	361	11.5	12	538	502	420	180	179.5
CMT-1845-4T	711	901	674	483	191	350	434	395	9.5	302	560	305	370	444	205	284	164	361	11.5	12	538	502	340	140	179.5
CMT-2050-2T-25	797	987	855	642.5	212.5	375	480	450	11	345	610	313	411	544	250	315	182.5	451	11.5	12	653	615	435	188	196
CMT-2050-2T-30	797	987	979	766.5	212.5	375	480	450	11	345	610	313	411	544	250	315	182.5	451	11.5	12	653	615	435	188	196
CMT-2050-4T	797	987	750	537.5	212.5	375	480	450	11	345	610	313	411	544	250	315	182.5	451	11.5	12	653	615	435	188	196

Characteristic Curves

Q = Airflow in m³/h, m³/s and cfm.

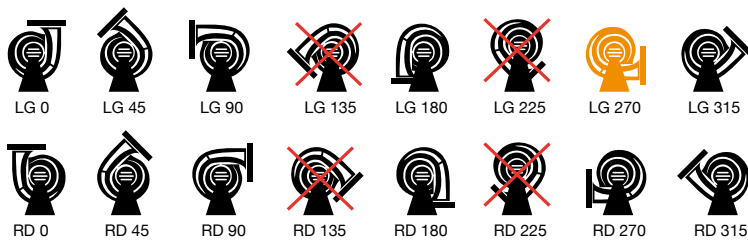
Pe= Static pressure in mm.w.c., Pa and in wg.



Positions

LG 270 standard supply

LG 180 and RD 180 positions on request and with special fixing measures.



Accessories

See the accessories section.

