

CMP/ATEX Centrifugal medium-pressure fitted with multi-blade impeller with ATEX certification



ATEX version on request made from stainless steel

Centrifugal single-inlet, medium-pressure fans with casing and sheet steel impeller to work in explosive atmospheres.

Fan:

- Steel sheet casing
- Impeller with forward-facing blades made from galvanised sheet steel
- Anti-spark aspiration ring in copper or aluminium

Motor:

- Class F motors, with ball bearings, IP55 protection and ATEX certification, EEx"e" explosion-proof, EEx"d" flame-resistant
- Three-phase 230/400V.-50Hz. (up to 5.5CV.) and 400/690V.-50Hz. (power over 5.5CV.)
- Max. air temperature to transport: -20°C.+ 80°C.

Finish:

- Rust retardant with ATEX paint, free of ferric components, in polyester resin, polymerised at 190°C, with prior alkaline degreasing and with phosphate-free pre-treatment

On request:

- Motors with built-in PTC
- Special windings for different voltages and frequencies
- ATEX construction for different categories
- Made from stainless steel



EEx "e" mark: CE II 2 G. EEx e
 EEx "d" mark: CE II 2 G. EEx d
 Notified authority: L.O.M.
 DIP55 mark: CE II 3 D. IP55
 DIP65 mark: CE II 2 D. IP65
 ID:
 LOM4ATEX007

Order code

CMP/ATEX — 1128 — 2T — 5,5 — EEx-e

Centrifugal medium-pressure fans fitted with multi-blade impeller with ATEX certification
 EEx "e" mark: CE II 2 G. EEx e
 EEx "d" mark: CE II 2 G. EEx d
 DIP55 mark: CE II 3 D. IP55
 DIP65 mark: CE II 2 D. IP65
 Notified authority: L.O.M.
 ID: LOM4ATEX007

Impeller size

Number of motor poles

2=2900 r/min. 50 Hz
 4=1400 r/min. 50 Hz

T=Three-phase

Installed motor (c.v)

EEx-e: Mark: CE II 2 G. EEx e IIBT3
 EEx "d" mark: CE II 2 G. EEx d IIBT5
 DIP55 mark: CE II 3 D. IP55
 DIP65 mark: CE II 2 D. IP65

Technical characteristics

Model	Speed (r/min)	Installed power (kW)	Maximum airflow (m³/h)	Sound pressure level dB(A)	Approx. weight with motor (Kg)	
					EEx-e	EEx-d
CMP-616-2T/ATEX	2740	0.55	1380	69	9	19
CMP-616-4T/ATEX	1400	0.10	850	61	9	16
CMP-620-2T/ATEX	2740	0.37	765	68	11	21
CMP-620-4T/ATEX	1375	0.10	810	61	9	16
CMP-718-2T/ATEX	2855	0.75	1485	70	14	26
CMP-718-4T/ATEX	1410	0.25	1280	63	11	20
CMP-820-2T/ATEX	2845	1.10	1950	73	18	31
CMP-820-4T/ATEX	1350	0.25	1670	66	12	21
CMP-922-2T-1,5/ATEX	2845	1.10	1650	70	23	36
CMP-922-2T-2/ATEX	2860	1.50	2010	71	24	43
CMP-922-2T-3/ATEX	2880	2.20	2600	74	27	48
CMP-922-4T/ATEX	1395	0.55	2450	66	20	34
CMP-1025-2T-3/ATEX	2880	2.20	2100	73	29	50
CMP-1025-2T-4/ATEX	2895	3.00	2830	77	34	58
CMP-1025-4T/ATEX	1410	1.10	3400	70	27	46
CMP-1128-2T-4/ATEX	2895	3.00	2220	77	37	61
CMP-1128-2T-5,5/ATEX	2900	4.00	3210	81	41	62
CMP-1128-4T/ATEX	1420	2.20	5000	74	37	60
CMP-1231-4T-3/ATEX	1420	2.20	4740	73	46	69
CMP-1231-4T-4/ATEX	1420	3.00	5910	75	49	72
CMP-1231-4T-5,5/ATEX	1440	4.00	6850	77	53	77
CMP-1435-4T-4/ATEX	1420	3.00	5560	76	54	77
CMP-1435-4T-5,5/ATEX	1440	4.00	6260	78	61	85

Technical characteristics

Model	Speed (r/min)	Installed power (kW)	Maximum airflow (m³/h)	Sound pressure level dB(A)	Approx. weight with motor (Kg) EEx-e EEx-d
CMP-1435-4T-7,5/ATEX	1455	5.50	7210	80	74 113
CMP-1640-4T-5,5/ATEX	1440	4.00	7500	77	79 103
CMP-1640-4T-7,5/ATEX	1455	5.50	8035	80	92 131
CMP-1640-4T-10/ATEX	1455	7.50	9710	82	100 134
CMP-1845-4T-7,5/ATEX	1455	5.50	8965	82	94 133
CMP-1845-4T-10/ATEX	1455	7.50	10350	85	102 136
CMP-2050-4T-10/ATEX	1455	7.50	9000	83	135 169
CMP-2050-4T-15/ATEX	1460	11.00	12525	87	162 259
CMP-2050-4T-20/ATEX	1455	15.00	19000	89	181 282

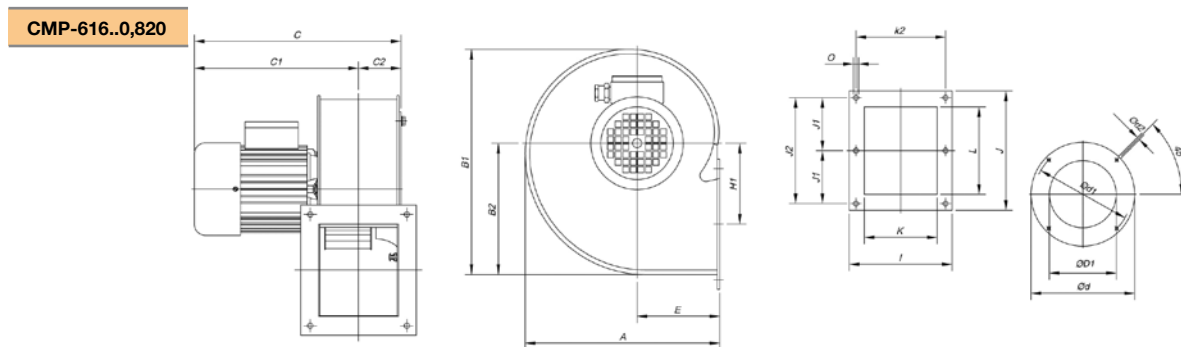
Acoustic features

The specified values are determined according to free field measurements of pressure and sound levels in dB(A) at an equivalent distance of twice the fan's span plus the turbine's diameter, with a minimum of 1.5 m.

Sound power Lw(A) spectrum in dB(A) via frequency band in Hz.

Model	Lp dB(A)	63	125	250	500	1000	2000	4000	8000
CMP-616-2T/ATEX	69	44	54	65	72	76	73	71	64
CMP-616-4T/ATEX	61	36	46	57	64	68	65	63	56
CMP-620-2T/ATEX	68	43	53	64	71	75	72	70	63
CMP-620-4T/ATEX	61	36	46	57	64	68	65	63	56
CMP-718-2T/ATEX	70	45	55	66	73	77	74	72	65
CMP-718-4T/ATEX	63	38	48	59	66	70	67	65	58
CMP-820-2T/ATEX	73	48	58	69	76	80	77	75	68
CMP-820-4T/ATEX	66	41	51	62	69	73	70	68	61
CMP-922-2T-1,5/ATEX	70	45	55	66	73	77	74	72	65
CMP-922-2T-2/ATEX	71	46	56	67	74	78	75	73	66
CMP-922-2T-3/ATEX	74	49	59	70	77	81	78	76	69
CMP-922-4T/ATEX	66	41	51	62	69	73	70	68	61
CMP-1025-2T-3/ATEX	73	48	58	69	76	80	77	75	68
CMP-1025-2T-4/ATEX	77	52	62	73	80	84	81	79	72
CMP-1025-4T/ATEX	70	45	55	66	73	77	74	72	65
CMP-1128-2T-4/ATEX	77	52	62	73	80	84	81	79	72

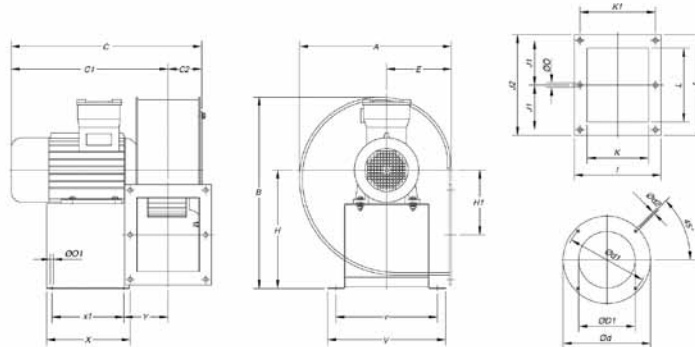
Dimensions in mm



Model	A	B1	B2	C	C1	C2	øD1	ød	ød1	ød2	E	H1	I	J	J1	J2	K	k2	L	øO
CMP-616-2T/ATEX	258	297	173.5	375	318	56	160	204	180	M.6	110	105.5	153	172	-	147	103	128	125	7
CMP-616-4T/ATEX	258	297	173.5	345	288	56	160	204	180	M.6	110	105.5	153	172	-	147	103	128	125	7
CMP-620-2T/ATEX	298	347	202.5	376	320	56	200	247	230	M.6	126	145.5	159	153	-	128	105	134	100	8
CMP-620-4T/ATEX	298	347	202.5	345	290	56	200	247	230	M.6	126	145.5	159	153	-	128	105	134	100	8
CMP-718-2T/ATEX	303.5	348	201	396	335	64	180	238	210	M.6	129.5	122	169	192	85	170	115	145	146	9
CMP-718-4T/ATEX	303.5	348	201	385	324	64	180	238	210	M.6	129.5	122	169	192	85	170	115	145	146	9
CMP-820-2T/ATEX	322	377	223	411	343	68	200	247	230	M.6	137.5	137	184	213	94.5	189	130	160	156	9
CMP-820-4T/ATEX	322	377	223	400	332	68	200	247	230	M.6	137.5	137	184	213	94.5	189	130	160	156	9

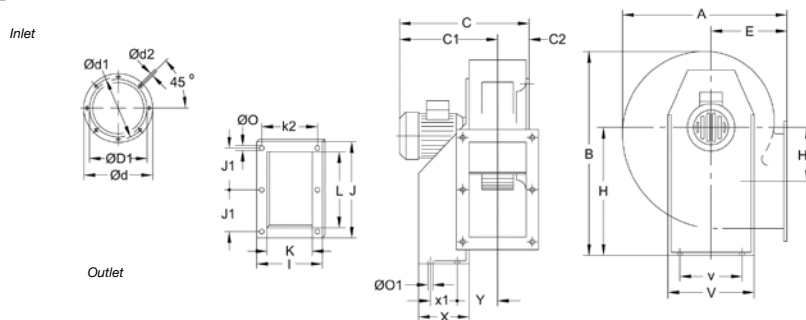
Dimensions in mm

CMP-616..0,820



Model	A	B	C	C1	C2	øD1	ød	ød1	ød2	E	H	H1	I	J	J1	J2	K	k1	L	ø0	ø01	V	v	X	x1	Y
CMP (EEx-d)-616-2T	258	400	376	318.5	57.5	160	204	180	M.6	109.5	251	107	153	172	-	147	103	128	125	7	9	250	215	175	145	83.5
CMP (EEx-d)-616-4T	258	380	346	288.5	57.5	160	204	180	M.6	109.5	243	107	153	172	-	147	103	128	125	7	9	250	215	175	145	78.5
CMP (EEx-d)-620-2T	298	400	376	320	56	200	247	230	M.6	126	251	145.5	159	153	-	128	105	134	100	8	9	250	215	175	145	84.5
CMP (EEx-d)-620-4T	298	388	346	290	56	200	247	230	M.6	126	243	145.5	159	153	-	128	105	134	100	9	9	250	215	175	145	79.5
CMP (EEx-d)-718-2T	303.5	440	396	335	61	180	238	210	M.6	129.5	260	122	169	192	85	170	115	145	146	9	9	250	215	175	145	94.5
CMP (EEx-d)-718-4T	303.5	400	386	325	61	180	238	210	M.6	129.5	251	122	169	192	85	170	115	145	146	9	9	250	215	175	145	94.5
CMP (EEx-d)-820-2T	322	440	415	343.5	71.5	200	247	230	M.6	137.5	260	137	184	213	94.5	189	130	160	156	9	9	250	215	175	145	102
CMP (EEx-d)-820-4T	322	405	403	331.5	71.5	200	247	230	M.6	137.5	251	137	184	213	94.5	189	130	160	156	9	9	250	215	175	145	97

CMP-922..0,1231

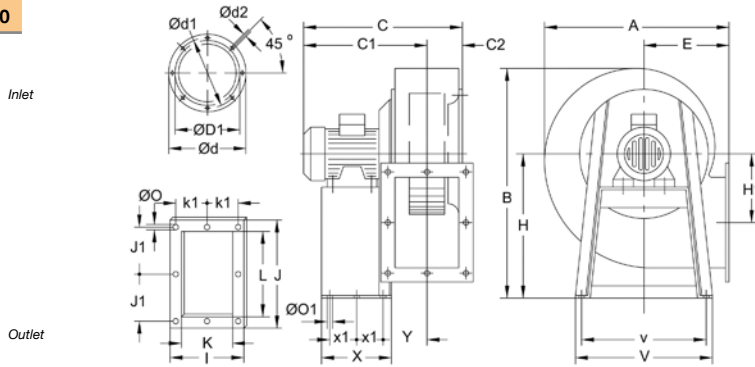


Model	EEx-"e"				EEx-"d"																													
	A	B	C	C1	C	C1	C2	øD1*	ød	ød1	ød2	E	H	H1	I	J	J1	K	k2	L	ø0	ø01	V	v	X	x1	Y							
CMP-922-2T-1.5/ATEX	388.5	455	382	309	424	351	73.5	224	278	256	M.8	180	280	134	204	282.5	128	140	180	215	9.5	10.5	290	220	114	50	105							
CMP-922-2T-2/ATEX	388.5	455	423.5	350	430.5	357	73.5	224	278	256	M.8	180	280	134	204	282.5	128	140	180	215	9.5	10.5	290	220	114	50	105							
CMP-922-2T-3/ATEX	388.5	455	423.5	350	430.5	357	73.5	224	278	256	M.8	180	280	134	204	282.5	128	140	180	215	9.5	10.5	290	220	114	50	105							
CMP-922-4T/ATEX	388.5	455	382.5	309	424	351	73.5	224	278	256	M.8	180	280	134	204	282.5	128	140	180	215	9.5	10.5	290	220	114	50	105							
CMP-1025-2T-3/ATEX	427	503	456	370	466	380	86	250	305	282	M.8	197	310	144	229	312.5	145	165	205	250	9.5	12.5	315	228	134	74	115.5							
CMP-1025-2T-4/ATEX	427	503	486	400	516	430	86	250	305	282	M.8	197	310	144	229	312.5	145	165	205	250	9.5	12.5	315	228	134	74	115.5							
CMP-1025-4T/ATEX	427	503	456	370	466	380	86	250	305	282	M.8	197	310	144	229	312.5	145	165	205	250	9.5	12.5	315	228	134	74	115.5							
CMP-1128-2T-4/ATEX	472	553	493.5	400	532.5	434	93.5	280	348	320	M.8	216	340	152	244	364	170	180	220	296.5	9.5	12.5	348	245	144	95	122.5							
CMP-1128-2T-5.5/ATEX	472	553	553.5	451	553.5	451	93.5	280	348	320	M.8	216	340	152	244	364	170	180	220	296.5	9.5	12.5	348	245	144	95	122.5							
CMP-1128-4T/ATEX	472	553	493.5	400	532.5	434	93.5	280	348	320	M.8	216	340	152	244	364	170	180	220	296.5	9.5	12.5	348	245	144	95	122.5							
CMP-1231-4T-3/ATEX	526	630	520.5	417	547.5	444	103.5	315	382	354	M.8	238	390	179.5	264	382.5	180	200	240	320	11.5	13	382	322	183	140	126							
CMP-1231-4T-4/ATEX	526	630	520.5	417	547.5	444	103.5	315	382	354	M.8	238	390	179.5	264	382.5	180	200	240	320	11.5	13	382	322	183	140	126							
CMP-1231-4T-5.5/ATEX	526	630	543.5	440	576.5	434	103.5	315	382	354	M.8	238	390	179.5	264	382.5	180	200	240	320	11.5	13	382	322	183	140	126							

* Recommended nominal diameter for duct.

Dimensions in mm

CMP-1435...2050



Model	A		EEEx-"e"				EEEx-"d"				C2	øD1*	ød	ød1	ød2	E	H	H1	I	J	J1	K	k1	L	ø0	ø01	V	v	X	x1	Y
	B	C	C1	C	C1	C	C1																								
CMP-1435-4T-4/ATEX	573.5	715	527	409	577	459	118	355	422	394	M.8	250	445	242.5	292	342.5	159	228	133	280	11.5	12	456	420	333	136.5	150				
CMP-1435-4T-5,5/ATEX	573.5	715	572	545	597	479	118	355	422	394	M.8	250	445	242.5	292	342.5	159	228	133	280	11.5	12	456	420	333	136.5	150				
CMP-1435-4T-7,5/ATEX	573.5	715	610	492	670	552	118	355	422	394	M.8	250	445	242.5	292	342.5	159	228	133	280	11.5	12	456	420	333	136.5	150				
CMP-1640-4T-5,5/ATEX	634	799	596	465	621	491	130	400	464	438	M.8	270	495	271	336	404	185	250	150	321	11.5	12	500	460	327	133.5	162.5				
CMP-1640-4T-7,5/ATEX	634	799	634	504	693	563	130	400	464	438	M.8	270	495	271	336	404	185	250	150	321	11.5	12	500	460	327	133.5	162.5				
CMP-1640-4T-10/ATEX	634	799	634	504	693	563	130	400	464	438	M.8	270	495	271	336	404	185	250	150	321	11.5	12	500	460	327	133.5	162.5				
CMP-1845-4T-7,5/ATEX	711	901	668	521	727	580	147	450	515	485	M.8	302	560	305	370	444	202	284	164	361	11.5	12	538	502	340	140	179.5				
CMP-1845-4T-10/ATEX	711	901	668	521	727	580	147	450	515	485	M.8	302	560	305	370	444	202	284	164	361	11.5	12	538	502	340	140	179.5				
CMP-2050-4T-10/ATEX	797	987	700.5	538	759	596.5	162.5	500	565	535	M.10	345	610	313	411	544	250	315	182.5	451	11.5	12	653	615	435	188	196				
CMP-2050-4T-15/ATEX	797	987	818.5	656	923.5	764.5	162.5	500	565	535	M.10	345	610	313	411	544	250	315	182.5	451	11.5	12	653	615	435	188	196				
CMP-2050-4T-20/ATEX	797	987	859.5	697	923.5	764.5	162.5	500	565	535	M.10	345	610	313	411	544	250	315	182.5	451	11.5	12	653	615	435	188	196				

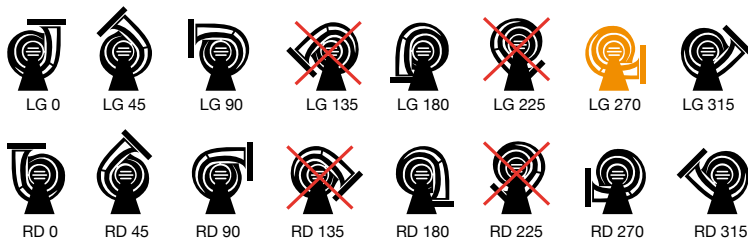
* Recommended nominal diameter for duct.

Characteristic curves

See page 91

Positions

LG 270 standard supply
 LG 180 and RD 180 positions on request and with special fixing measures.



Accessories

See accessories section.

