

THT/IMP

400°C/2h, 300°C/1h and 200°C/2h single-direction or reversible long-range impulsion fans

200°C/2h, 300°C/1h and 400°C/2h single-direction or reversible long-range impulsion fans with circular, (THT/IMP-C), octagonal (THT/IMP-L) or painted octagonal (THT/IMP-O) design



THT/IMP-C



THT/IMP-O



THT/IMP-L

Fan:

- Single-direction or reversible ventilation unit consisting of a fan, silencers, deflectors and brackets, certified for smoke extraction in accordance with standard EN-12101-3-2002, certification no. 0370-CPD-0394
- Turnable impellers cast aluminium designed for optimum thrust.
- Protection guard against contacts, in accordance with standard UNE 100250, in single-direction models
- Deflector to increase airflow range, on the impeller side. Reversible models are fitted with deflectors on both sides.
- Highly effective silencers with thermal and acoustic insulation
- Safety switch, IAT series, supplied built-in to the fan (THT/IMP-L and THT/IMP-O) or on request (THT/IMP-C)
- Airflow direction from motor to impeller or 100% reversible
- THT/IMP-C: Steel sheet circular casing
- THT/IMP-L: galvanized sheet steel casing
- THT/IMP-O: painted steel casing, with minimum height
- THT/IMP-LS: Casing limited



Deflector to increase range

Motor:

- Class H motors, ongoing use S1 and emergency use S2, with ball bearings and IP55 protection, 2-speed
- Three-phase 400V.-50Hz. DHALANDER
- Max. temperature of air for transport: S1 Service -20°C+ 40°C for ongoing use, S2 Service 200°C/2h, 300°C/2h, 400°C/2h

Finish:

- Anticorrosive in polyester resin, polymerised at 190°C, after alkaline degreasing and phosphate-free pre-treatment (THT/IMP-C, THT/IMP-O) or anticorrosive galvanized sheet steel (THT/IMP-L)

On request:

- Different thrust performance from that indicated.

Order code

THT/IMP O — UNI — 38 — 2/4T — 1,5 — F-400

THT/IMP:
Long-distance
impulse fans

Design
C: Circular casing
O: Painted casing
L: casing
LS: Casing
limited

Airflow direction
UNI: Unidirectional
REV: Reversible

Impeller
diameter
in cm.

Number of
motor poles
2=2900 r/min. 50 Hz
4=1400 r/min. 50 Hz
6=900 r/min. 50 Hz
8=750 r/min. 50 Hz
12=500 r/min. 50 Hz

T=Three-phase
Motor power
(c.v.)

F-200 Officially approved
200°C/2h
F-300 Officially approved
300°C/1h
F-400 Officially approved
400°C/2h

Technical characteristics

Model	Speed (r/min)	Maximum current 400V (A)	Airflow (m³/h)	Thrust (N)	Speed inlet (m/s)	Power installed (kW)	LpA sound pressure at 10m dB(A)	Approx. weight (Kg)
Single-direction								
THT/IMP-C-UNI-31-2/4T	2860/ 1430	1.50/ 0.55	4260 / 2130	21/ 5	15.6/ 7.8	0.55 / 0.15	51/ 36	65
THT/IMP-C-UNI-35-2/4T	2875/ 1430	2.10/ 0.80	6360 / 3180	36/ 9	17.8 / 8.9	0.85 / 0.20	52/ 37	70
THT/IMP-C-UNI-38-2/4T-1,5	2900/ 1450	2.90/ 1.10	8450 / 4225	57/ 15	20.7 / 10.3	1.10 / 0.25	47/ 32	89
THT/IMP-C-UNI-40-2/4T-1,5	2900/ 1450	2.90/ 1.10	9250 / 4625	60/ 15	20.4 / 10.2	1.10 / 0.25	53/ 38	98
THT/IMP-C-UNI-45-2/4T-2	2940/ 1460	4.40/ 1.40	10800 / 5400	62/ 15	18.1 / 9.0	1.50 / 0.37	57/ 42	132
THT/IMP-C-UNI-45-2/4T-3	2930/ 1450	5.70/ 1.80	13200 / 6600	92/ 23	22.1 / 11.0	2.20 / 0.60	58/ 43	133
THT/IMP-C-UNI-50-2/4T-6	2930/ 1450	10.00/ 3.20	19700 / 9850	165/ 41	26.4 / 13.2	4.50 / 1.30	60/ 45	220
THT/IMP-O-UNI-29-2/4T	2860/ 1430	1.50/ 0.55	4000 / 2000	21/ 5	16.8 / 8.4	0.55 / 0.15	37/ 22	69
THT/IMP-O-UNI-35-2/4T	2875/ 1430	2.10/ 0.80	6360 / 3180	36/ 9	17.8 / 8.9	0.85 / 0.20	52/ 37	70
THT/IMP-L-UNI-29-2/4T	2860/ 1430	1.50/ 0.55	4000 / 2000	21/ 5	16.8 / 8.4	0.55 / 0.15	37/ 22	69
THT/IMP-LS-UNI-29-2/4T	2860/ 1430	1.50/ 0.55	4000 / 2000	21/ 5	16.8 / 8.4	0.55 / 0.15	39/ 24	55
THT/IMP-L-UNI-35-2/4T	2875/ 1430	2.10/ 0.80	6360 / 3180	36/ 9	17.8 / 8.9	0.85 / 0.20	52/ 37	70
THT/IMP-LS-UNI-35-2/4T	2875/ 1430	2.10/ 0.80	6360 / 3180	36/ 9	17.8 / 8.9	0.85 / 0.20	54/ 39	56

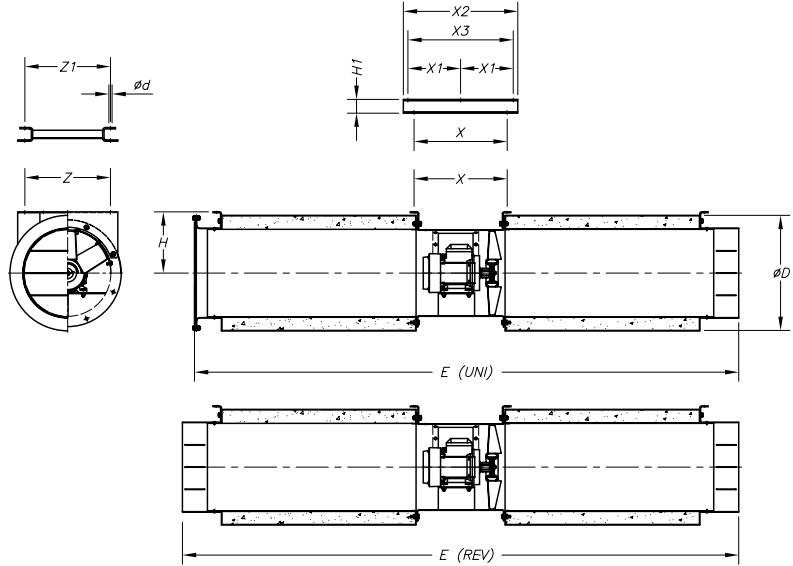
Reversible

THT/IMP-C-REV-31-2/4T	2860/ 1430	1.50/ 0.55	3840 / 1920	17/ 4	14.1 / 7.0	0.55 / 0.15	50/ 35	63
THT/IMP-C-REV-35-2/4T	2875/ 1430	2.10/ 0.80	5940 / 2970	31/ 8	16.7 / 8.3	0.85 / 0.20	51/ 36	70
THT/IMP-C-REV-38-2/4T-2	2940/ 1460	4.40/ 1.40	8200 / 4100	54/ 14	20.1 / 10.0	1.50 / 0.37	49/ 34	91
THT/IMP-C-REV-40-2/4T-2	2940/ 1460	4.40/ 1.40	9250 / 4625	60/ 15	20.4 / 10.2	1.50 / 0.37	52/ 37	100
THT/IMP-C-REV-45-2/4T-2	2940/ 1460	4.40/ 1.40	10300 / 5150	56/ 14	17.2 / 8.6	1.50 / 0.37	56/ 41	131
THT/IMP-C-REV-45-2/4T-3	2930/ 1450	5.70/ 1.80	12800 / 6400	87/ 22	21.4 / 10.7	2.20 / 0.60	57/ 42	133
THT/IMP-C-REV-50-2/4T-6	2930/ 1450	10.00/ 3.20	19000 / 9500	153/ 38	25.4 / 12.7	4.50 / 1.30	60/ 45	267
THT/IMP-O-REV-29-2/4T	2860/ 1430	1.50/ 0.55	3400 / 1700	15/ 4	14.3 / 7.1	0.55 / 0.15	38/ 23	67
THT/IMP-O-REV-35-2/4T	2875/ 1430	2.10/ 0.80	5940 / 2970	31/ 8	16.7 / 8.3	0.85 / 0.20	51/ 36	70
THT/IMP-L-REV-29-2/4T	2860/ 1430	1.50/ 0.55	3400 / 1700	15/ 4	14.3 / 7.1	0.55 / 0.15	38/ 23	67
THT/IMP-LS-REV-29-2/4T	2860/ 1430	1.50/ 0.55	3400 / 1700	15/ 4	14.3 / 7.1	0.55 / 0.15	40/ 25	55
THT/IMP-L-REV-35-2/4T	2875/ 1430	2.10/ 0.80	5940 / 2970	31/ 8	16.7 / 8.3	0.85 / 0.20	51/ 36	70
THT/IMP-LS-REV-35-2/4T	2875/ 1430	2.10/ 0.80	5940 / 2970	31/ 8	16.7 / 8.3	0.85 / 0.20	53/ 38	56



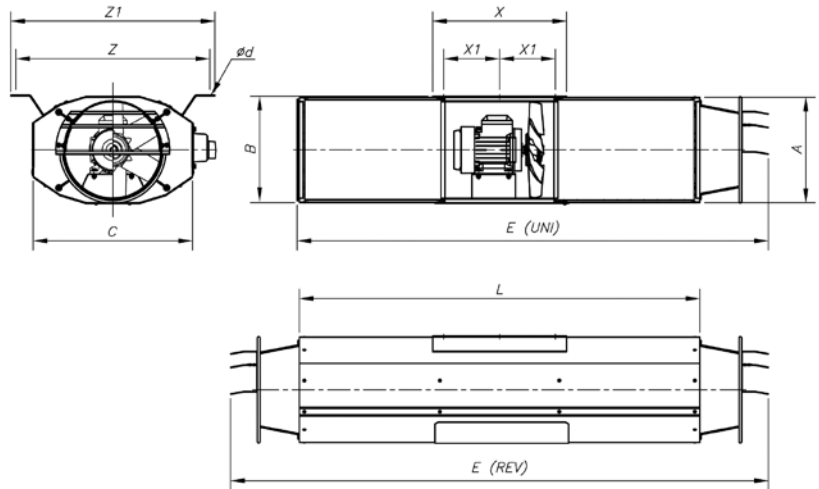
Dimensions in mm

C: Circular casing



Model	ØD	Ød1	E (UNI)	E (REV)	H	H1	X	X1	X2	X3	Z	Z1
THT/IMP-C-31	415	10	1956	2000	220	-	345	-	-	-	275	-
THT/IMP-C-35	460	12	1960	2005	250	-	346	-	-	-	300	-
THT/IMP-C-38	415	12	2570	2620	225	-	-	-	600	530	-	517
THT/IMP-C-40	510	12	2485	2540	280	-	376	-	-	-	400	-
THT/IMP-C-45	630	12	2500	2554	355	-	396	-	-	-	440	-
THT/IMP-C-50	710	12	2895	2950	410	80	514	320	700	-	380	370

O: painted enclosure
L: Surround
LS: Surround small

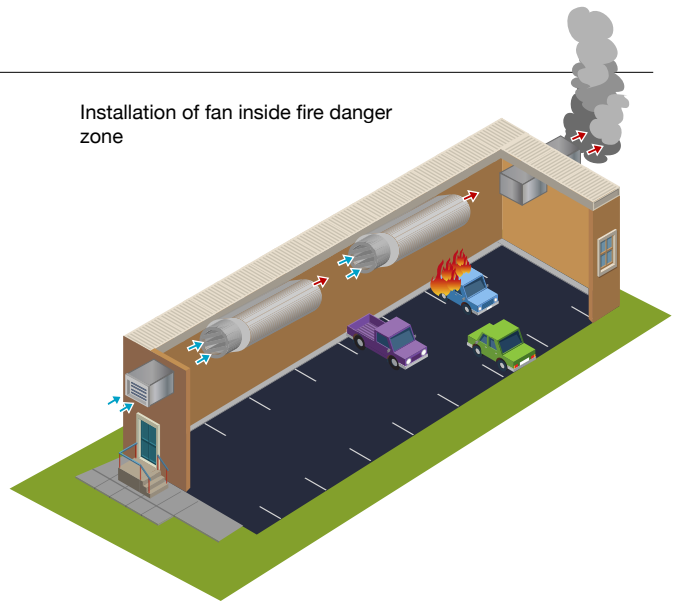


	A	B	C	Ød	E (UNI)	E (REV)	L	X	X1	Z	Z1
THT/IMP-LS-29	319,5	324	479	12x26	1410	1610	1200	400	167	580	610
THT/IMP-L-29	319,5	324	479	12x26	2210	2410	2000	400	167	580	610
THT/IMP-O-29	319,5	324	479	12x26	2210	2410	2000	400	167	580	610
THT/IMP-LS-35	383	386	523	12x26	1410	1610	1200	400	167	614	644
THT/IMP-L-35	383	386	523	12x26	2210	2410	2000	400	167	614	644
THT/IMP-O-35	383	386	523	12x26	2210	2410	2000	400	167	614	644

Application in garages



Installation of fan inside fire danger zone



Accessories

See accessories section

