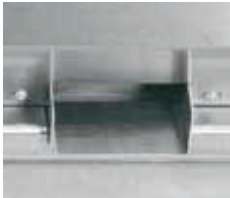




Suitable for kitchen exhaust

The motor is separated from the airstream, according to VDI 2052 applicable for industrial kitchen exhaust with medium temperatures up to 120°C.

- Outer casing made of seawater resistant AlMg3
- Motor outside of air stream
- Motor voltage controllable
- Swing out fan section
- with isolator switch
- Integrated drain pan



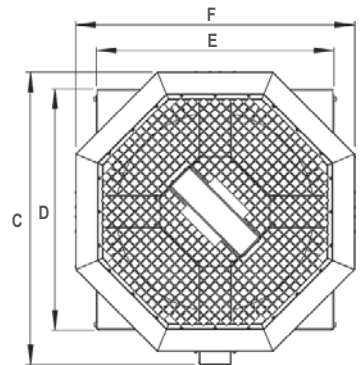
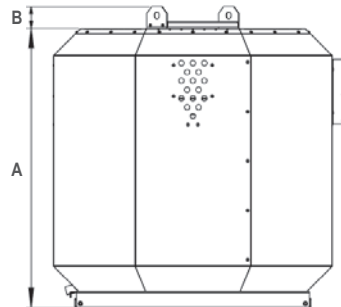
Drain tray

In case of fatty exhaust air a drain tray prevents roof pollution.



Isolator Switch

An integrated isolator switch enables riskless maintenance.



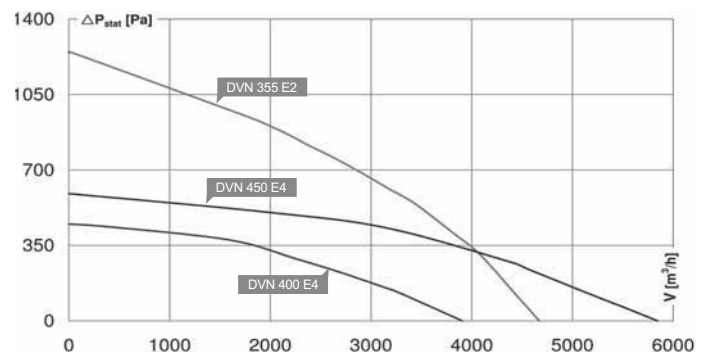
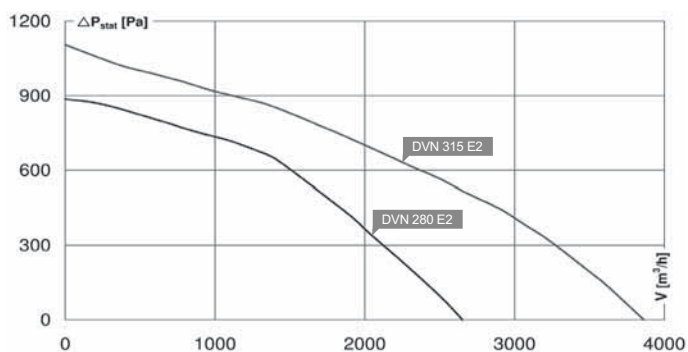
Type	ID	U	f	L _{WA6}	L _{WA5}	η _{fa}	η _t	A	B	C	D	E	F	Weight [kg]	Wiring diagram
		[V]	[Hz]	[dB (A)]	[dB (A)]	[%]	[%]	[mm]	[mm]	[mm]	[mm]	[mm]	[mm]		
DVN 280 E2	122003	230V ~	50	83	82	38,4	39,6	565		535	436	426	497		121998
DVN 315 E2	121703	230V ~	50	82	80	41,8	44,4	565		535	436	426	497	24,9	121998
DVN 355 E2	122162	230V ~	50	86	87	40,1	41,5	694		670	549	540	632		121998
DVN 400 E4	121707	230V ~	50	77	74	31,6	32,8	694		670	549	540	632		121998
DVN 450 E4	122006	230V ~	50	76	73	44,6	45,7	790	40	828	683	674	790		121998
DVN 500 E4	121711	230V ~	50	83	81	46,1	47,4	790	40	828	683	674	790		121998
DVN 560 D4	121774	400V 3~	50	82	80	52,0	51,0	967	40	1033	945	936	995		122319
DVN 630	coming soon														
DVN 710	coming soon														
DVN 800	coming soon														

	DVN 280 E2 ID 122003	DVN 315 E2 ID 121703	DVN 355 E2 ID 122162	DVN 400 E4 ID 121707	DVN 450 E4 ID 122006
MDNU.	230V ~/50Hz 120 °C 2650 m³/h 650 W 3,8 A 82/83/- db(A)	230V ~/50Hz 120 °C 3860 m³/h 880 W 5,0 A 80/82/- db(A)	230V ~/50Hz 120 °C 4670 m³/h 1.250 W 7,7 A 87/86/- db(A)	230V ~/50Hz 120 °C 3910 m³/h 540 W 2,9 A 74/77/- db(A)	230V ~/50Hz 120 °C 5850 m³/h 810 W 4,3 A 73/76/- db(A)



Specific Accessories
For details see page: 150

MYSM.	TEM 050 ID 103519	TEM 075 ID 103507	TEM 100 ID 103511	TEM 035 ID 103502	TEM 050 ID 103519	5-Step Transformer With motor protection	
MYMDF.	DSF 280 ID 109593	DSF 280 ID 109593	DSF 355 ID 109619	DSF 355 ID 109619	DSF 450 ID 109784	Flat Roof Socket	
MYMDS.	DSS 280 ID 111352	DSS 280 ID 111352	DSS 355 ID 111353	DSS 355 ID 111353	DSS 450 ID 111354	Socket Silencer	
MYMDA.	DAF 250 ID 110585	DAF 250 ID 110585	DAF 400 ID 109826	DAF 400 ID 109826	DAF 400 ID 109826	Inlet Flange	
MYMDN.	DAS 250 ID 109413	DAS 250 ID 109413	DAS 400 ID 109827	DAS 400 ID 109827	DAS 400 ID 109827	Inlet Collar	
MYMDV.	DVK 250 ID 109233	DVK 250 ID 109233	DVK 400 ID 109213	DVK 400 ID 109213	DVK 400 ID 109213	Shutter automatic automatic	





Suitable for kitchen exhaust

An integrated tray with fat drain prevents roof pollution.

Highly effective sound insulation

The DVNI series has got a 40mm insulation of mineral wool. A strong glass fibre yarn prevents the escape of mineral fibres. An additional mechanical protection is done by a perforated metal plate. The average sound attenuation is 9dB(A).

- Outer casing made of seawater resistant AlMg3
- Motor outside of air stream
- Motor voltage controllable
- Swing out fan section
- with isolator switch
- Integrated drain pan
- 40 mm mineral wool insulation (DVNI)



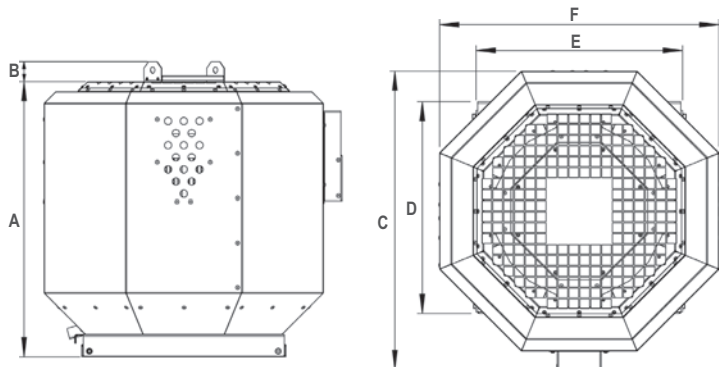
Sound insulation

A high class 40mm mineral wool is covered by glass fibre yarn which prevents the escape of mineral fibres and a perforated metal plate prevents insulation damages.



Swing out

The fan section can be lifted up for maintenance purposes.



Type	ID	U	f	η_{fa}	η_t	A	B	C	D	E	F	Weight [kg]	Wiring diagram
		[V]	[Hz]	[%]	[%]	[mm]	[mm]	[mm]	[mm]	[mm]	[mm]		
DVNI 280 E2	122013	230V ~	50	38,4	39,6	567		615	436	426	577		121998
DVNI 315 E2	121705	230V ~	50	41,8	44,4	567		615	436	426	577		121998
DVNI 355 E2	122166	230V ~	50	40,1	41,5	700		750	549	540	712		121998
DVNI 400 E4	121709	230V ~	50	31,6	32,8	700		750	549	540	712		121998
DVNI 450 E4	122010	230V ~	50	44,6	45,7	791	39	908	683	674	870		121998
DVNI 500 E4	121720	230V ~	50	46,1	47,4	791	39	908	683	674	870		121998
DVNI 560 D4	122294	400V 3~	50	52,0	51,0	969	38	1113	945	936	1075	83,0	122319
DVNI 630	coming soon												
DVNI 710	coming soon												
DVNI 800	coming soon												

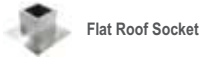


Specific Accessories
For details see page: 150

DVNI 280 E2 ID 122013	DVNI 315 E2 ID 121705	DVNI 355 E2 ID 122166	DVNI 400 E4 ID 121709	DVNI 450 E4 ID 122010	MDNI.
230V ~/50Hz 120 °C 2650 m³/h 650 W 3,8 A 82/79/- db(A)	230V ~/50Hz 120 °C 3860 m³/h 880 W 5,0 A 80/77/- db(A)	230V ~/50Hz 120 °C 4670 m³/h 1.250 W 7,7 A 87/80/- db(A)	230V ~/50Hz 120 °C 3910 m³/h 540 W 2,9 A 74/71/- db(A)	230V ~/50Hz 120 °C 5850 m³/h 810 W 4,3 A 73/70/- db(A)	



5-Step Transformer
With motor protection



Flat Roof Socket



Socket Silencer



Inlet Flange

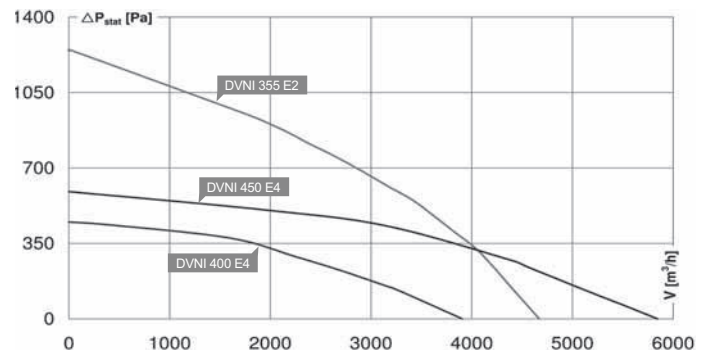
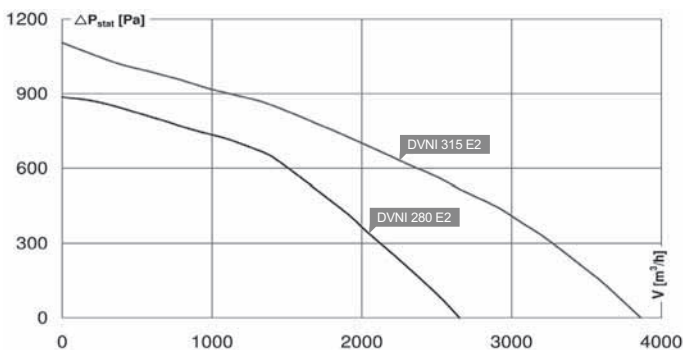


Inlet Collar



Shutter automatic
automatic

TEM 050 ID 103519	TEM 075 ID 103507	TEM 100 ID 103511	TEM 035 ID 103502	TEM 050 ID 103519	MYSM.
DSF 280 ID 109593	DSF 280 ID 109593	DSF 355 ID 109619	DSF 355 ID 109619	DSF 450 ID 109784	MYMDF.
DSS 280 ID 111352	DSS 280 ID 111352	DSS 355 ID 111353	DSS 355 ID 111353	DSS 450 ID 111354	MYMDS.
DAF 250 ID 110585	DAF 250 ID 110585	DAF 400 ID 109826	DAF 400 ID 109826	DAF 400 ID 109826	MYMDA.
DAS 250 ID 109413	DAS 250 ID 109413	DAS 400 ID 109827	DAS 400 ID 109827	DAS 400 ID 109827	MYMDN.
DVK 250 ID 109233	DVK 250 ID 109233	DVK 400 ID 109213	DVK 400 ID 109213	DVK 400 ID 109213	MYMDV.



	DVNI 500 E4 ID 121720	DVNI 560 D4 ID 122294	DVNI 630	DVNI 710	DVN 800
MDVI.	230V ~/50Hz 120 °C 7930 m³/h 1.240 W 7,2 A 81/79/- db(A)	400V 3~/50Hz 120 °C 11830 m³/h 2.080 W 4,6 A 80/77/- db(A)			

coming soon



Specific Accessories
For details see page: 150

MYSM.		TDM 060 ID 111557				5-Step Transformer With motor protection	
MYSM.	TEM 075 ID 103507					5-Step Transformer With motor protection	
MYMDF.	DSF 450 ID 109784	DSF 560 ID 122314				Flat Roof Socket	
MYMDS.	DSS 450 ID 111354	DSS 560 ID 122313				Socket Silencer	
MYMDA.	DAF 400 ID 109826	DAF 560 ID 122288				Inlet Flange	
MYMDN.	DAS 400 ID 109827	DAS 560 ID 122287				Inlet Collar	
MYMDV.	DVK 400 ID 109213	DVK 560 ID 122289				Shutter automatic automatic	

